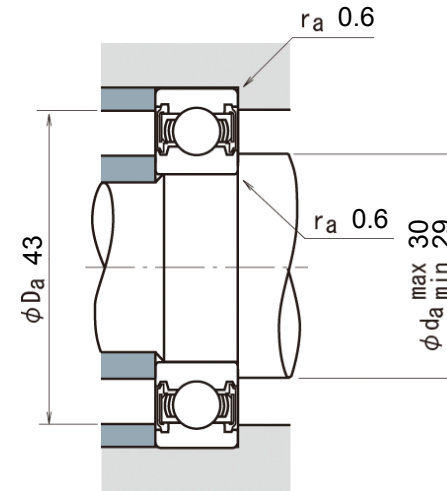
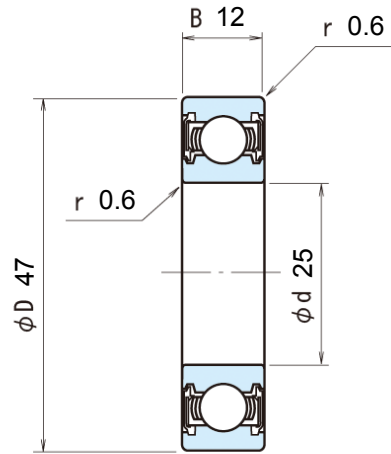


- └ Single-Row
- └ VV: With Two Non-Contact Sealed

| Boundary Dimensions (mm) | | | | Basic Load Ratings (kN) | | Limiting Speeds (min ⁻¹) | | Bearing Numbers | NSKHPS |
|-----------------------------|----------|----------|------------------|----------------------------|-----------------------|---|-----|-----------------|--------|
| <i>d</i> | <i>D</i> | <i>B</i> | <i>r</i> min. | <i>C_r</i> | <i>C_{0r}</i> | Grease | Oil | | |
| 25 | 47 | 12 | 0.6 | 10.1 | 5.85 | 15000 | - | 6005VV | |



| Factor | Mass (kg) approx. |
|--------|-------------------------|
| f_0 | |
| 14.5 | 0.079 |